

Supplied by:

S-Y-n-C
LIVING



CTM Manual Changing Table

The CTM Manual Changing Table allows the bed to be set at the right height for each carer – vital to avoid secondary or frontline back injury at around half the price of an equivalent electric changing table.

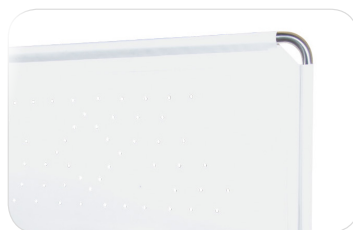
Before the user is hoisted onto the bed, the safe working height needs to be set by the carer. Once the user is on the table, the CTM mechanism makes sure that the carer cannot accidentally move the bed whilst being used. When not in use the CTM changing stretcher folds away to within just 220mm of the wall.

Unique Features

- Choice of standard sizes from 1000mm to 1900mm
- Standard width of 700mm
- Optional Fold away safety guard and bumper
- Durable non-rip HT vinyl material bed
- Protrudes just 220mm from wall when stowed
- Splash skirt option
- All stainless steel construction



Discreet when Stowed



Durable non-rip high tension vinyl material



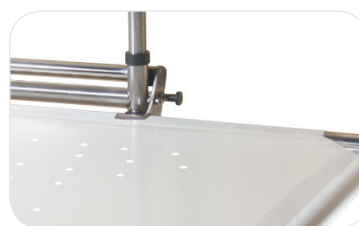
Ideal for dry or wet room



Perforated table allows water to drain away



Clean and simple design ideal for any environment



Unique CTM Mechanism to set ideal working height

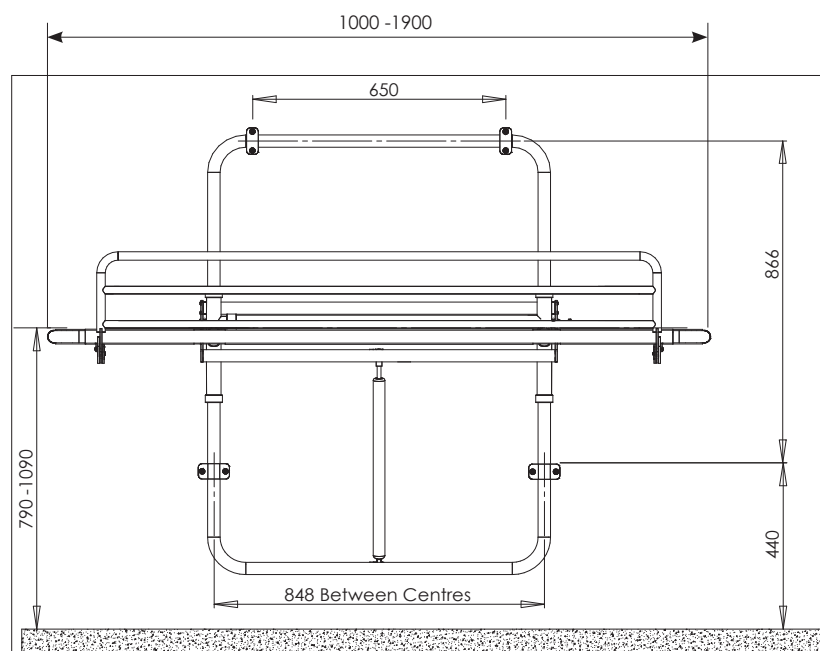
CTM Manual
Changing Table

Product Specifications

Specifications

Model	CTM Manual Height Adjustable Changing Table
Function	Height Adjustable Changing Table, Ideal for Changing Areas
Dimensions	1000mm - 1900mm (100mm increments) x 700mm
Height Range	790mm to 1090mm
Weight Capacity	150kg safe working load
Options	Special sizes available to order, Fold away guard, Protective padded guard bumper, Anti-splash skirt, Removable Mattress
Application	Nursing Home, Hospital, Domestic, Hospice, School, Public Changing Areas
Materials	Durable non-rip high tension vinyl material with Stainless Steel frame.

Dimensions



All sizes are in millimetres