

Product Data Sheet: DMCC / Exposed fixings

Close coupled Doc M pack with steel Grab Rails, TMV3 valve



Product Detail:

This Doc M pack is designed to provide a toilet facility with additional support for the user. The pack is compliant with the Approved Document M of the Building Regulations 2000, is WRAS and LABC approved.

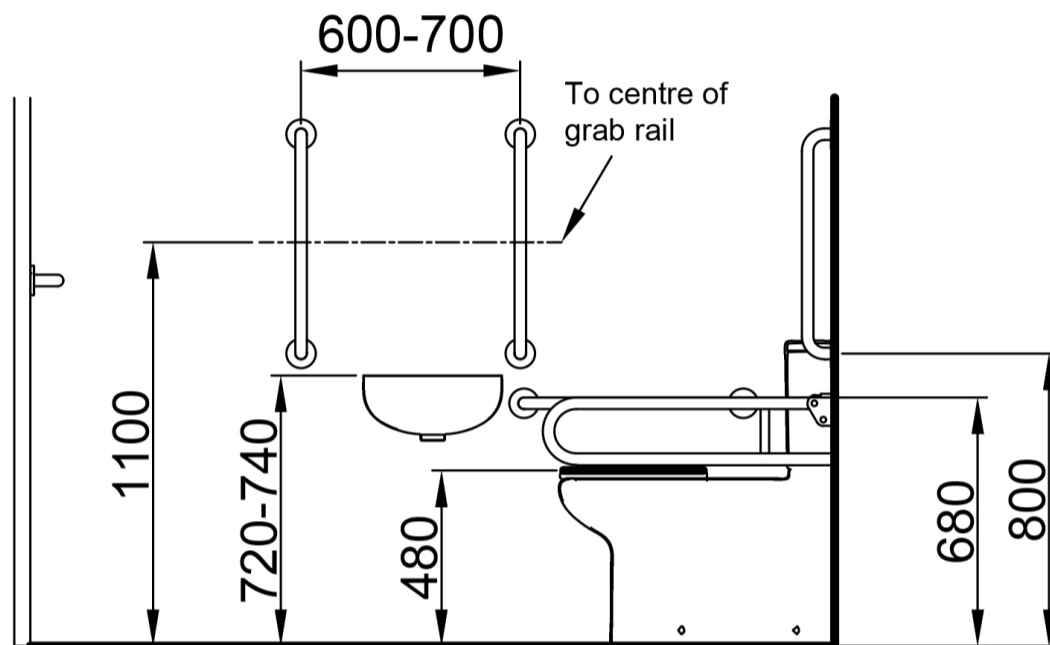
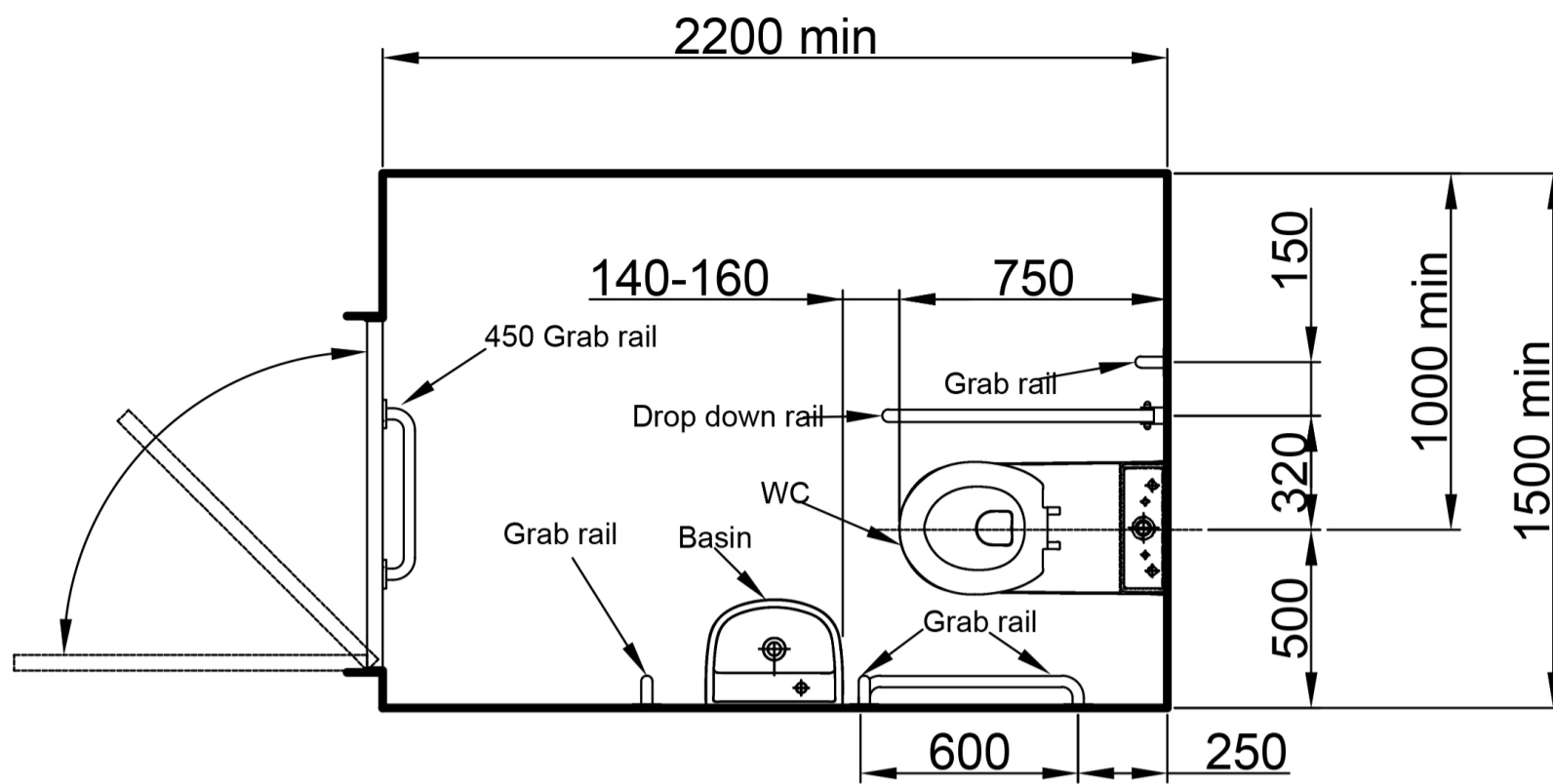
The pack contents include:

- 5 x 600mm Steel Grab Rails
- 1 x 800mm Lift & lock steel hinged Rail
- 1 x Close coupled WC pan & cistern assembly
- 1 x Ring only toilet seat with stainless hinge
- 1 x Two tap hole basin & fittings
- 1 x Basin mixer tap
- 1 x Spatula cistern lever
- 1 x TMV3 in-line thermostatic valve

Reference (specify): DMCC / Exposed fixings

Available colours/finishes





Above is for guidance only, refer to relevant building regulations
(Only Nymas components shown. See data sheet for pack components).

Order Code	Size (A)
DMCC	Exposed fixings
DM700K	Concealed fixings

PLEASE NOTE: Every effort has been made to ensure as much accuracy as possible. However, due to print restrictions exact colour match is not always possible. Featured products may also be changed from time to time, but are correct at time of publication.